

1) Display and control panel



## Basic features

Approval/Conformity	CE WEEE UKCA cULus
Data storage	8 GB EMMC
Operating system	Linux
Supported web browsers	Google Chrome Mozilla Firefox Microsoft Edge
Working memory	2 GB RAM

## Display/Operation

Function indicator	LED 0: green/red LED 1: yellow/red
Power (ON)	LED green: Power

## Electrical connection

Connection slots	2x LAN: RJ45-Female, 8-pin 4x IO-Link: M8x1-Female, 4-pin, A-coded PWR: Phoenix MC1.5/3-STF-3.81 USB: USB 2.0 Standard-A
shielded	No

## Electrical data

Input current max. at 24 V	180 mA
Load current max. IO-Link port	500 mA
Nominal voltage	24 VDC
Operating voltage $U_b$	20...30 VDC

## Environmental conditions

Ambient temperature	-20...60 °C
IP rating	IP20
Storage temperature	-20...60 °C

## Interface

Auxiliary interfaces	2x Ethernet TCP/IP 4x IO-Link USB 2.0
Conformity class	B
IO-Link function	Master
IO-Link version	1.1
Port-class	Type A
Transfer rate	10/100 Mbit/s

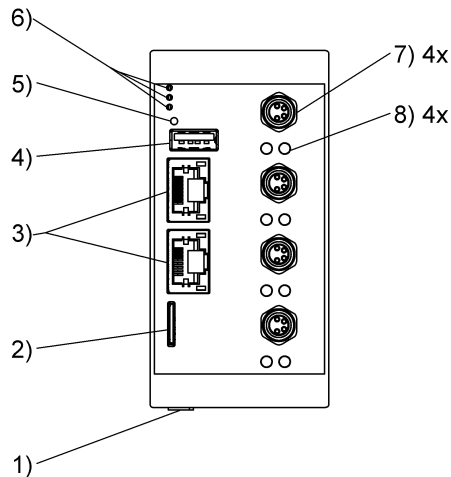
## Material

Housing material	PA
------------------	----

## Mechanical data

Dimension	101 x 126 x 50 mm
Mounting part	DIN rail
Style	Two-row

## Help Views



- 1) Power supply
- 2) SD card slot
- 3) LAN interfaces
- 4) USB interface
- 5) Pushbutton
- 6) Status LEDs
- 7) IO-Link Ports
- 8) Port LEDs